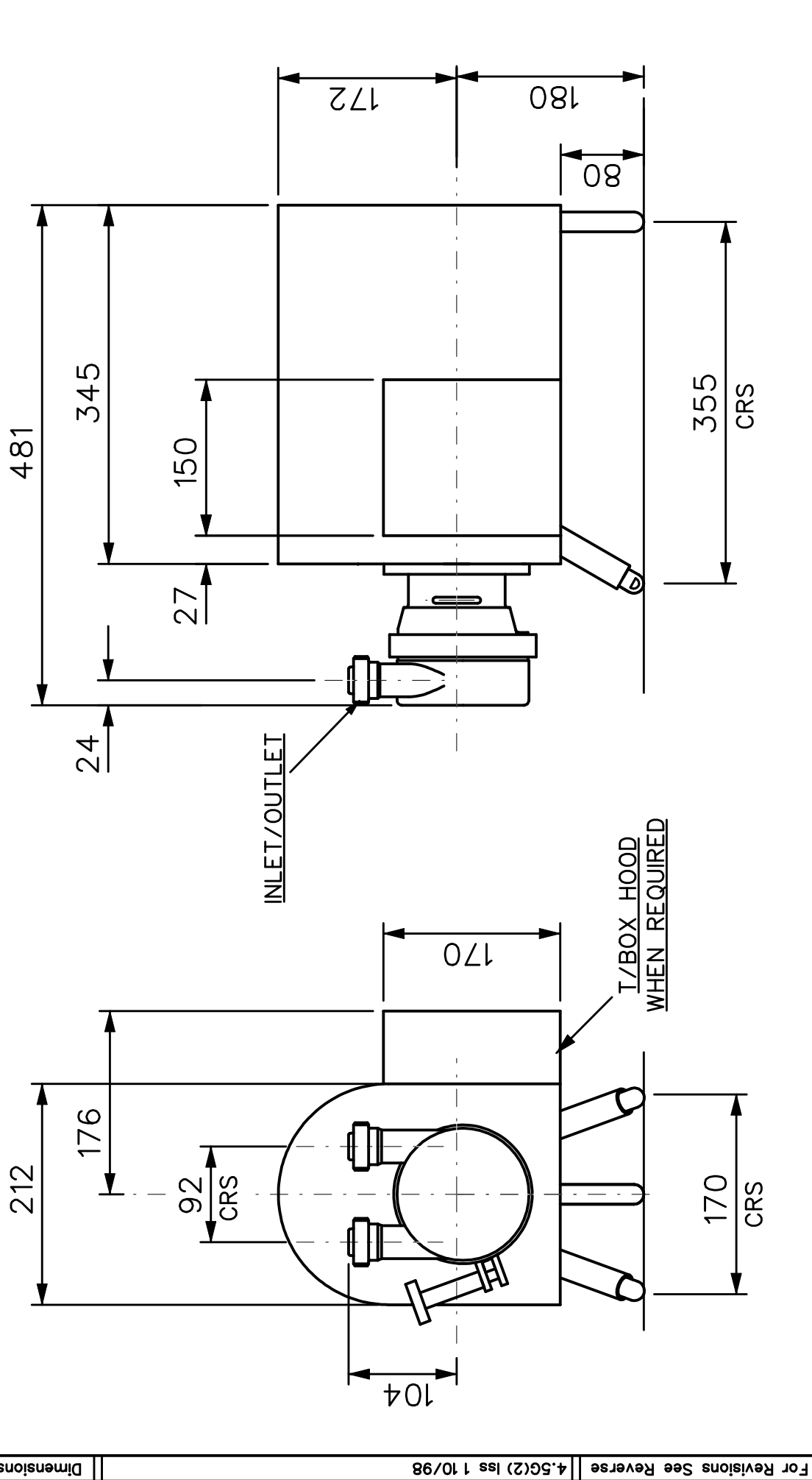


Drng No RD-1953  
 Rev Status A

Third Angle Projection  Do Not Scale  
 DIMENSIONS SUBJECT TO CHANGE WITHOUT NOTIFICATION  
 DIMENSIONS SHOULD NOT BE USED FOR INSTALLATION PURPOSES UNLESS SPECIFICALLY ENDORSED



For Revisions See Reverse 4.5G(2) Iss 1/10/98  
 Dimensions in mm

MDM PUMPS LTD Spring Lane Malvern, Worcs England, WR14 1BP Tel: 01684 892678 Fax: 01684 892841	Prn MR Ch'd HL Scale	Date 31/10/97 Date 31/10/97	1:5
---	----------------------------	--------------------------------------	-----

1" TWO WAY PUMP - TYPE 21 COWL