

Third Angle Projection  Do Not Scale

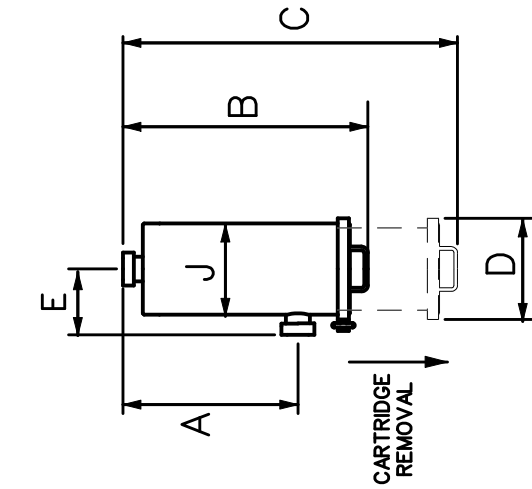
DIMENSIONS SUBJECT TO CHANGE WITHOUT NOTIFICATION

Drg No  
RD-1706

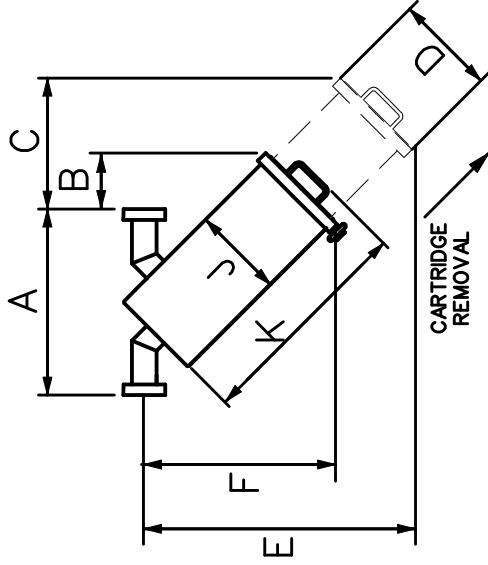
Rev Status  
D

DIMENSIONS SHOULD NOT BE USED FOR INSTALLATION PURPOSES UNLESS SPECIFICALLY ENDORSED

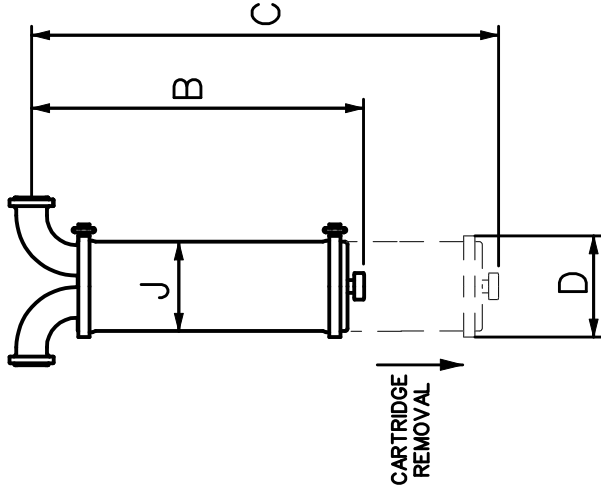
Dimensions in mm



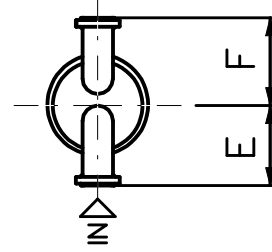
K2 RIGHT ANGLE STRAINER



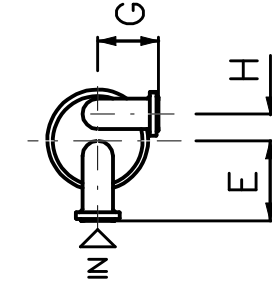
K2 INLINE STRAINER



K6-30 INLINE STRAINER



K6-30 RIGHT ANGLE STRAINER



	A	B	C	D	E	F	G	H	J	K
K2-10 RIGHT ANGLE	160	277	490	96	70	/	/	/	82	/
K2-20 RIGHT ANGLE	320	465	850	142	96	/	/	/	129	/
K2-30 RIGHT ANGLE	386	540	980	226	147	/	/	/	203	/
K6-30 RIGHT ANGLE	/	740	860	226	176	140	58	198	/	/
K2-20 INLINE (2")	260	140	405	142	620	350	/	/	129	425
K2-20 INLINE (3")	330	105	370	142	620	350	/	/	129	425
K2-30 INLINE (3")	380	130	450	226	780	450	/	/	203	500
K2-30 INLINE (4")	470	83	400	226	780	450	/	/	203	500
K6-30 INLINE	/	740	860	226	176	198	/	/	198	/

For Revisions See Reverse

4.5G(2) Iss 1 10/98

MDM PUMPS LTD	Drn MR	Date 17/9/04
Spring Lane	Ch'd DP	Date 17/9/04
Malvern, Worcs	Scale	/
England, WR14 1BP		
Tel 01684 892678		
Fax 01684 892841		



PIPELINE STRAINER - DIMENSION DRAWING