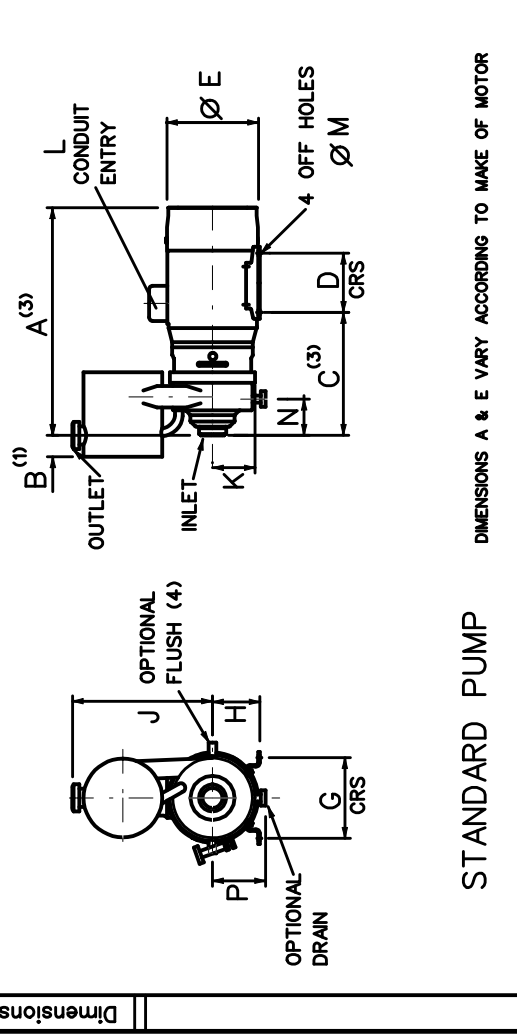


DIMENSIONS SUBJECT TO CHANGE WITHOUT NOTIFICATION

DIMENSIONS SHOULD NOT BE USED FOR INSTALLATION PURPOSES UNLESS SPECIFICALLY ENDORSED

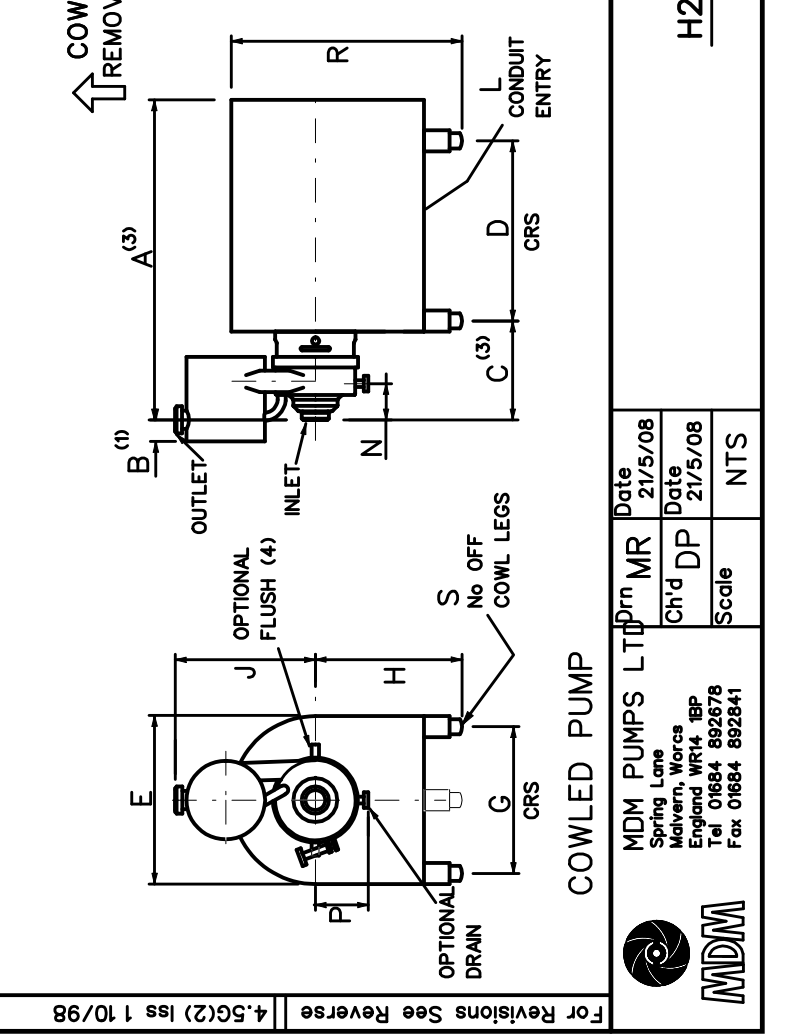
	A ⁽³⁾	B ⁽¹⁾	C ⁽³⁾	D	E	G	H	J	K	L	M	N	P	R
H241AS/5.5&7.5kW	590	56	309	140	270	216	132	454	150	2xM32	10	86	170	45
H241AS/9.2&11kW	627	..	178
H241AS/11&15kW	723	..	328	210	335	254	160	..	2xM40	12
H241AS/18.5kW	767	..	254
H241AS/22kW	822	..	341	241	366	279	180
H241AS/30&37kW	943	..	407	305	405	318	200	..	2xM50	16	125	54



(1) FOR POLISHED PUMP ADD 87mm

(3) FOR PUMPS WITH LOW PRESSURE FLUSH, OR EXTERNAL SEALS ADD DIMENSION 'R'

(4) FLUSH CONNS M10 DIAM. OP. ON HORIZ. CENTRE LINE



(1) FOR POLISHED PUMP ADD 87mm

(3) FOR PUMPS WITH LOW PRESSURE FLUSH, OR EXTERNAL SEALS ADD DIMENSION 'T'

(4) FLUSH CONNS M10 DIAM. OP. ON HORIZ. CENTRE LINE