

Third Angle Projection

Do Not Scale

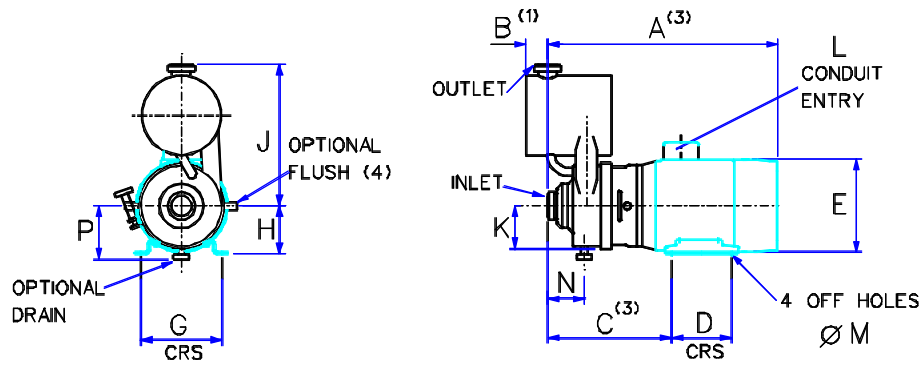
DIMENSIONS SUBJECT TO CHANGE WITHOUT NOTIFICATION

Drg No RD-2007

Rev Status B

DIMENSIONS SHOULD NOT BE USED FOR INSTALLATION PURPOSES UNLESS SPECIFICALLY ENDORSED

Dimensions in mm



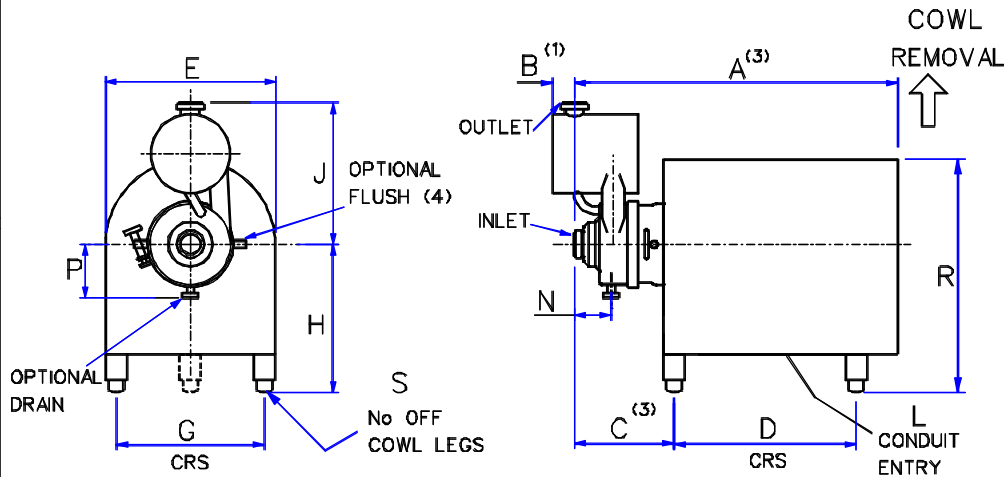
STANDARD PUMP

	A <sup>(3)</sup>	B <sup>(1)</sup>	C <sup>(3)</sup>	D	E	F	G	H	J	K	L	M	N	P
H190AS/3&4kW(100 FRAME)	528	56	283	140	199		160	100	454	115	20	12	86	140
H190AS/4kW(112 FRAME)	541	..	290	..	215		190	112	..	..	25	..	..	..
H190AS/5.5&7.5kW	591	..	309	..	255		216	132	..	..	..	..	..	..
H190AS/9.2&11kW(132FRAME)	..	..	..	178	..		..	..	..	..	..	..	..	..
H190AS/11&15kW	715	..	328	210	314		254	160	..	..	32	15	..	..
H190AS/18.5kW	..	..	..	254	..		..	..	..	..	..	..	..	..
H190AS/22kW	777	..	341	241	358		279	180	..	..	..	..	..	..

(1) FOR POLISHED PUMP ADD 87mm

(3) FOR PUMPS WITH FLUSHED, OR EXTERNAL SEALS ADD 45mm  
 (4) FLUSH CONNS M10 DIAM. OP. ON HORIZ. CENTRE LINE

For Revisions See Reverse 4.5G(2) Iss 1 10/98



COWLED PUMP

	A <sup>(3)</sup>	B <sup>(1)</sup>	C <sup>(3)</sup>	D	E	F	G	H	J	L	N	P	R	S
H190AS/ TYPE 25 COWL	608	56	150	440	250		230	225	454	20	86	140	443	3
H190AS/ TYPE 32 COWL	710	..	170	520	320		275	245	..	25	..	..	495	3
H190AS/ TYPE 39 COWL	828	..	240	570	390		254	280	..	32	..	..	597	4
H190AS/ TYPE 43 COWL	868	..	..	608	430		279	300	..	..	..	..	640	4
H190AS/ TYPE 321 COWL	588	..	127	350	326		286	224	..	20	..	..	384	4
H190AS/ TYPE 391 COWL	(5)	..	108	338	396		341	(6)	..	25	..	..	583	4
H190AS/ TYPE 430 COWL	837	..	113	520	436		520	300	..	32	..	..	603	4

(1) FOR POLISHED PUMP ADD 87mm

(3) FOR PUMPS WITH FLUSHED, OR EXTERNAL SEALS ADD 45mm  
 (4) FLUSH CONNS M10 DIAM. OP. ON HORIZ. CENTRE LINE

(5) 132 FRAME MOTORS - 617  
 160 FRAME MOTORS - 817

(6) 112&132 FRAME MOTORS - 255  
 160 FRAME MOTORS - 283



MDM

**MDM PUMPS LTD**  
 Spring Lane  
 Malvern, Worcs  
 England WR14 1BP  
 Tel 01684 892678  
 Fax 01684 892841

Drn MR	Date 9/10/98
Ch'd	Date 9/10/98
Scale	NTS

H190/AS PUMP - DIMENSION DRAWING