

DIMENSIONS SUBJECT TO CHANGE WITHOUT NOTIFICATION

DIMENSIONS SHOULD NOT BE USED FOR INSTALLATION PURPOSES UNLESS SPECIFICALLY ENDORSED

	A ⁽⁴⁾	B	C ⁽⁴⁾	D	E	F	G	H	J	K	L	M	N	P	R
H141/1.1kW	452	(1)	270	100	160	(2)	125	80	180	105	180	9	86	120	45
H141/1.5kW	487	..	276	..	180	..	140	90	10
H141/2.2kW	526	..	283	140	196	..	160	100
H141/3&4kW	548	..	290	..	225	..	190	112
H141/4kW	590	..	309	..	270	..	216	132	2xM32
H141/5.5&7.5kW	627	178
H141/9.2&11kW	723	..	328	210	335	..	254	160	2xM40	12
H141/11&15kW	767	254
H141/18.5kW	822	..	341	241	366	..	279	180
H141/22kW															

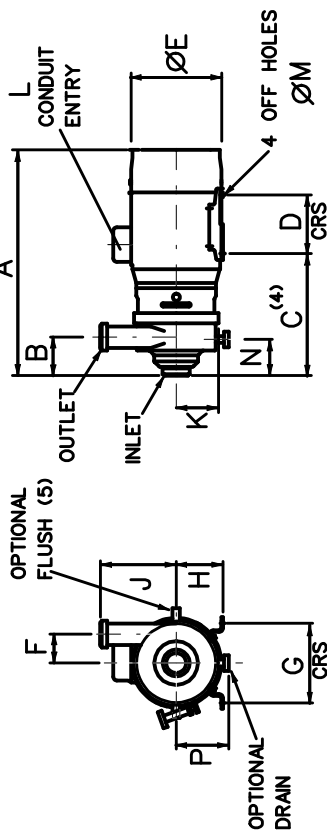
(1) 25 H141 - 76mm
40 H141 - 79mm
50 H141 - 83mm
65 H141 - 87mm
80 H141 R - 90mm
100 H141 - 91mm

(2) 25 H141 - 77mm
40 H141 - 74mm
50 H141 - 70mm
65 H141 - 66mm
80 H141 R - 63mm
100 H141 - 53mm

(3) NONE

(4) FOR PUMPS WITH LOW PRESSURE FLUSH, OR EXTERNAL SEALS ADD DIMENSION 'R'

(5) FLUSH CONNS M10 DIAM. OP. ON HORIZ. CENTRE LINE



STANDARD PUMP

DIMENSIONS A & E VARY ACCORDING TO MAKE OF MOTOR

	A ⁽⁴⁾	B	C ⁽⁴⁾	D	E	F	G	H	J	L	N	P	R	S	T
H141/ TYPE 21 COWL	555	(1)	180	355	210	(2)	170	180	180	180	86	120	350	3	45
H141/ TYPE 25 COWL	608	..	150	440	250	..	230	225	443
H141/ TYPE 32 COWL	710	..	170	520	320	..	275	245	..	2xM32	495
H141/ TYPE 39 COWL	830	..	240	570	390	..	254	280	..	2xM40	597	4	..
H141/ TYPE 43 COWL	870	608	430	..	279	300	640

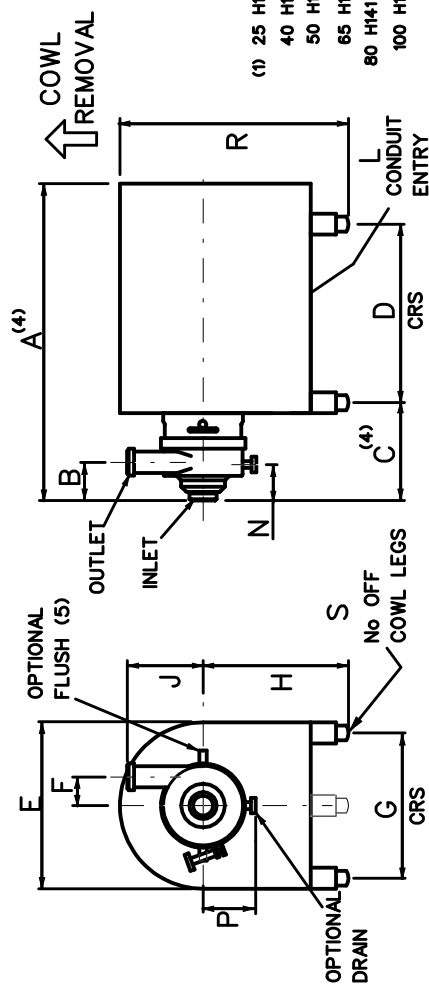
(1) 25 H141 - 76mm
40 H141 - 79mm
50 H141 - 83mm
65 H141 - 87mm
80 H141 R - 90mm
100 H141 - 91mm

(2) 25 H141 - 77mm
40 H141 - 74mm
50 H141 - 70mm
65 H141 - 66mm
80 H141 R - 63mm
100 H141 - 53mm

(3) NONE

(4) FOR PUMPS WITH LOW PRESSURE FLUSH, OR EXTERNAL SEALS ADD DIMENSION 'T'

(5) FLUSH CONNS M10 DIAM. OP. ON HORIZ. CENTRE LINE



H141 PUMP - DIMENSION DRAWING

MDM PUMPS LTD

Spring Lane
Maivern, Worcs
England WR14 1BP
Tel 01684 892678
Fax 01684 892841

Date	12/5/06
Ch'd	DP
Scale	NTS