

Third Angle Projection 

Do Not Scale

DIMENSIONS SUBJECT TO CHANGE WITHOUT NOTIFICATION

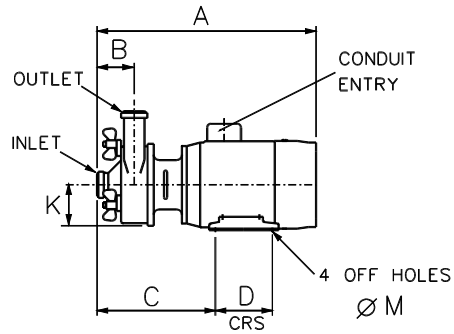
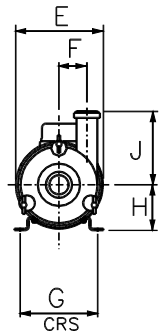
Drng No

RD-2088

DIMENSIONS SHOULD NOT BE USED FOR INSTALLATION PURPOSES UNLESS SPECIFICALLY ENDORSED

Rev Status

Dimensions in mm

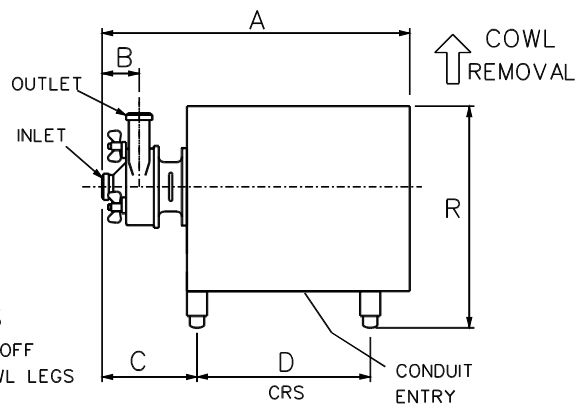
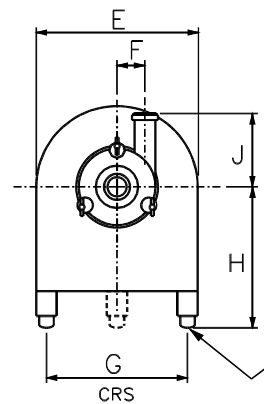


	A	B	C	D	E	F	G	H	J	K	M
GP/0.37kW	321	50	151	90	144	46	112	71	120	66	17
GP/0.55kW	..	..	..	..	..	..	..	..	..	..	..
GP/0.75kW	338	..	156	100	160	..	125	80	..	..	14
GP/1.1kW	..	..	..	..	..	..	..	..	..	..	..
GP/1.5kW	373	..	162	..	180	..	140	90	..	..	15
GPW/1.1kW	340	52	158	100	160	38	125	80	130	..	14
GPW/1.5kW	375	..	164	..	180	..	140	90	..	..	15
GPW/2.2kW	..	..	..	125	..	..	..	..	..	..	..

STANDARD PUMP

4.5G(2) Iss 1 10/98

For Revisions See Reverse



	A	B	C	D	E	F	G	H	J	R	S
GP/ TYPE 21 COWL	454	50	78	355	210	46	170	180	120	350	3
GPW/ TYPE 21 COWL	456	52	80	..	..	38	..	..	130	..	..
GPW/ TYPE 25 COWL	609	..	..	440	250	..	230	225	..	443	..

COWLED PUMP



**MDM PUMPS LTD**  
 Spring Lane  
 Malvern, Worcs  
 England WR14 1BP  
 Tel 01684 892678  
 Fax 01684 892841

Drn	MR	Date	1/9/04
Ch'd		Date	1/9/04
Scale			NTS

GP & GPW PUMP - DIMENSION DRAWING