

Third Angle Projection

Do Not Scale

DIMENSIONS SUBJECT TO CHANGE WITHOUT NOTIFICATION

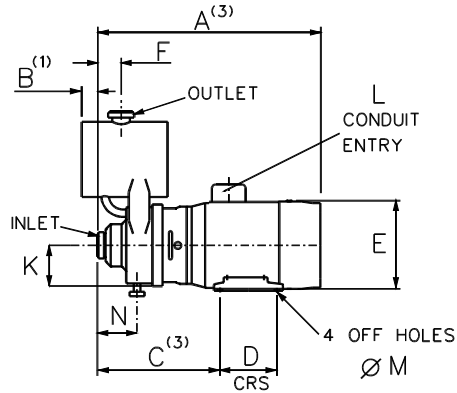
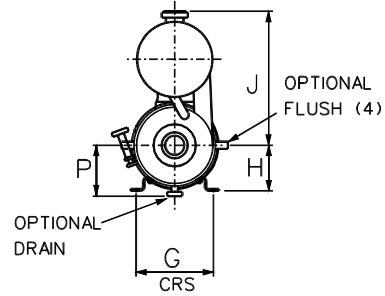
Org No

RD-2094

DIMENSIONS SHOULD NOT BE USED FOR INSTALLATION PURPOSES UNLESS SPECIFICALLY ENDORSED

Rev Status

Dimensions in mm



	A ⁽³⁾	B ⁽¹⁾	C ⁽³⁾	D	E	F	G	H	J	K	L	M	N	P
2" D2&D2W AS/1.1kW	452	35	270	100	158	17	125	80	379	71	20	10	125	90
2" D2&D2W AS/1.5kW	487	..	276	..	178	..	140	90
2" D2&D2W AS/2.2kW	276	125	140
3" D2&D2W AS/1.5kW	484	38	273	100	178	14	110	90	379	71	20	10	122	90
3" D2&D2W AS/2.2kW	125
3" D2&D2W AS/3kW	522	..	280	140	199	..	160	100

(1) FOR POLISHED PUMP ADD 70mm

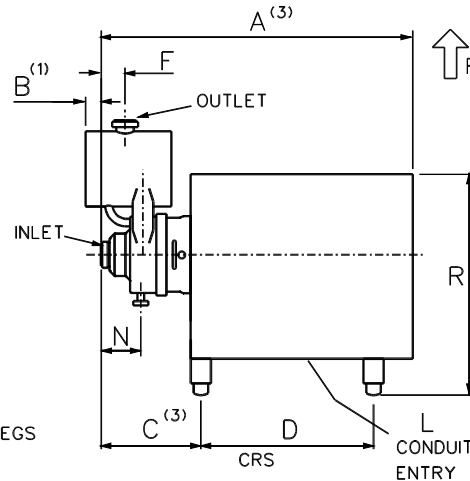
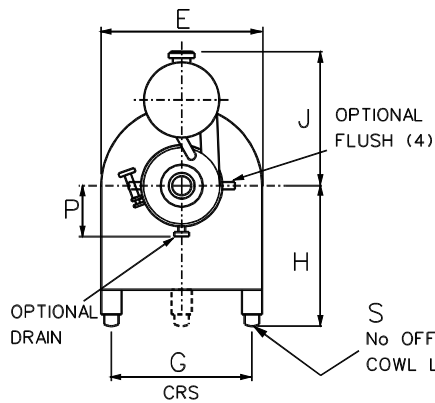
(3) FOR PUMPS WITH :-
LOW PRESSURE FLUSH ADD 18mm
HIGH PRESSURE FLUSH ADD 37mm

(4) FLUSH CONNS 1/8" BSPF
DIAM. OP. ON
HORIZ. CENTRE LINE

STANDARD PUMP

4.5G(2) Iss 1 10/98

For Revisions See Reverse



	A ⁽³⁾	B ⁽¹⁾	C ⁽³⁾	D	E	F	G	H	J	L	N	P	R	S
2" D2&D2W/AS TYPE 21 COWL	567	35	192	355	210	17	170	180	379	20	86	90	350	3
2" D2&D2W/AS TYPE 25 COWL	620	..	162	440	250	..	230	225	443	3
3" D2&D2W/AS TYPE 21 COWL	564	38	189	355	210	14	170	180	..	20	350	3
3" D2&D2W/AS TYPE 25 COWL	617	..	159	440	250	..	230	225	443	3

(1) FOR POLISHED PUMP ADD 70mm

(3) FOR PUMPS WITH :-
LOW PRESSURE FLUSH ADD 18mm
HIGH PRESSURE FLUSH ADD 37mm

(4) FLUSH CONNS 1/8" BSPF
DIAM. OP. ON
HORIZ. CENTRE LINE

COWLED PUMP



MDM PUMPS LTD
Spring Lane
Malvern, Worcs
England WR14 1BP
Tel 01684 892678
Fax 01684 892841

Drn HL	Date	20/1/05
Ch'd	Date	20/1/05
Scale	NTS	

D2 & D2W/AS PUMP - DIMENSION DRAWING